



Serving the World in  
Pneumatic and Vacuum  
Conveying Products



***Founded in 1941 ... The World's Largest Manufacturer and Supplier  
of Piping Components for the Pneumatic Conveying Industry.***

***COUPLING PRODUCTS***

**Compression Couplings**  
**Side-Band Couplings**  
**Quickon II Couplers®**  
**Gripper™ Couplers**  
**All Ⓐ Round Couplings**

***TUBE BEND PRODUCTS***

**Tube and Pipe Bends**  
**Tubing and Pipe Straights**  
**Extended-Wear Elbows**  
**Heli-Groove Bends  
and Straights**  
**Standard and Custom-  
Welded Fabrications**  
**Sight Glasses**  
**Vacuum Products**  
**“Quickie” Assemblies**  
**Installation Components**

***FLEXIBLE HOSE***

**PVC Flexible Hose**  
**Metal Flexible Hose  
and Custom-Fabricated  
Metal Hose Assemblies**  
**Hose Clamps and Accessories**

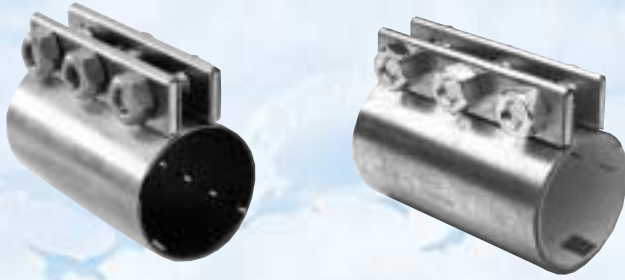
***CAM AND GROOVE COUPLINGS***

**EVER-TITE® Cam and Groove Couplings**  
**Tough-TITE™ Cam and Groove Couplings**  
**Compression Nut Assemblies**

***All Morris Compression Couplings, Quickon II Couplers®, Grippers and Side Bands are available in metric sizes.***



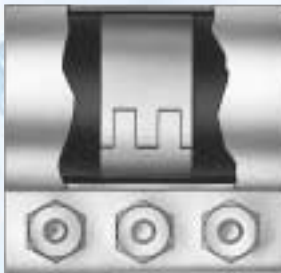
## COMPRESSION COUPLINGS



The “*Original*” Morris compression coupling designed to join pipe and tubing for pneumatic conveying systems.

- Easy to install
- Pipe and tube sizes 1/2" through 48"
- Standard construction is galvanized steel
- Also available in stainless steel and aluminum
- Gasket materials: black and white neoprene, silicone and others
- Static conductive grounding strip is standard

## COUPLINGS WITH STAINLESS-STEEL GASKET PROTECTORS



Provide positive gasket protection against abrasion or erosion in pneumatic conveying systems.

Eliminates:

- Costly downtime
- Frequent gasket replacement
- Gasket being drawn into the pipeline
- Product contamination

## SIDE-BAND COMPRESSION COUPLINGS

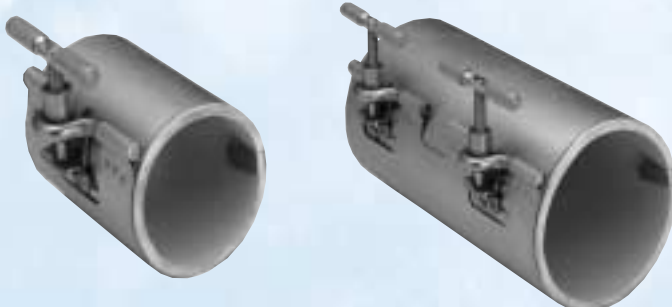


Maximum holding power to connect pipe and tubing. Unique design with:

- Improved axial-force holding power
- Dual-locking side bands and two one-piece longitudinal bars to withstand end pull
- Higher operating pressure
- Size ranges from 2" O.D. through 24" O.D. pipe or tubing sizes

## QUICKON II COUPLERS®

(Single and Dual)



Quick and efficient installation or removal of pneumatic and vacuum conveying lines or systems with a twist of the wrist – *no tools required*. Application provides:

- Fast take down and reassembly of lines
- Reduced coupler weight
- All stainless-steel construction
- Sizes range from 1-1/2" through 12-3/4" O.D. in standard 4" lengths. Dual Quickons are 9-1/2" long
- Standard gasket is food-grade gum rubber; silicone available
- Positive locking system



## GRIPPER™ COUPLERS

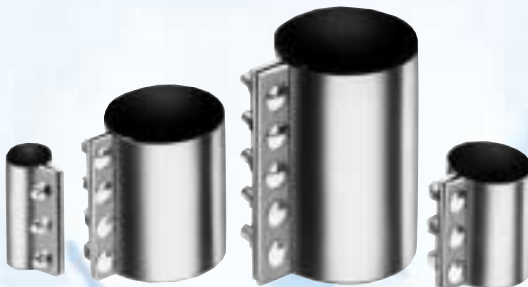
(Single and Dual)



A hook-style latching coupling providing a positive secure seal for installation or removal of low-pressure or vacuum-tubing lines on dry bulk transport tank trucks. Wrap-around applications for:

- Quick connect and disconnect coupling
- All stainless-steel construction
- Improved support over rubber hose and band clamps
- Size ranges from 1-1/2" O.D. through 12" IPS
- Standard 4" length for single grippers and 9-1/2" length for dual grippers
- Gum rubber or silicone gaskets available

## ALL **A** ROUND COUPLINGS AND REPAIR CLAMPS



A quick and easy, lightweight and economical, one-piece coupling to join or repair system piping. This spanner-type combination offers:

- Stainless-steel construction with thick neoprene gasket and stainless-steel spanner cemented to shell
- A positive butt-joint seal
- Size ranges from 2" IPS through 12" IPS nominal pipe O.D.
- For sizes over 12", specify the Morris Double-Spanner Compression Coupling/Repair Clamp
- Ideal for repairing or joining water lines

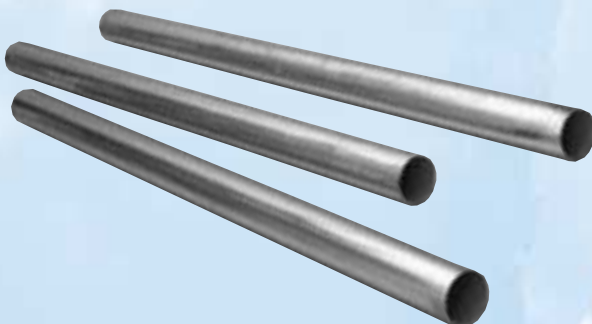
## TUBE AND PIPE BENDS



Short and long radius bends for pneumatic and vacuum conveying systems. Readily available from stock in a variety of materials, wall thicknesses, and center line radii.

- Available in aluminum, stainless steel, carbon and galvanized steel
- Sizes range from 1" O.D. through 12" IPS
- Standard wall thickness:
  - Tubing – 16, 14, 11 gauge
  - Pipe – 5, 10, 40 schedule
  - Other wall thicknesses available upon request

## TUBING AND PIPE (Straight Lengths)



Extensive inventory of pipe and tubing straights with a variety of wall thicknesses available in:

- Aluminum, stainless steel, carbon and galvanized steel
- Size ranges from 1" through 12" O.D.
- Welded and extruded seamless

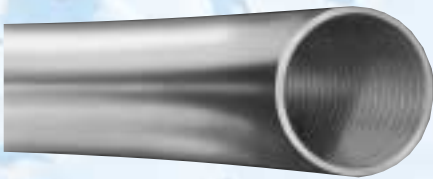
## EXTENDED-WEAR ELBOWS



Abrasion-resistant elbows with specially treated sections that include a variety of options:

- Ceramic lined
- Ceramic backed (illustrated at left)
- Twin back
- Cement filled
- Shell backed

## HELI-GROOVE BENDS AND STRAIGHTS



Internal spiral-grooved tube and tube bends increase turbulence of materials passing through the system to reduce clogging due to angel hair or stringers.

Available in:

- Aluminum and stainless steel
- Size ranges from 2" O.D. through 8" IPS

## STANDARD AND CUSTOM-WELDED FABRICATIONS



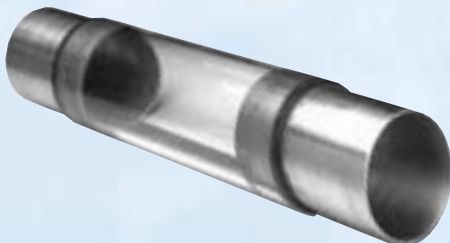
A wide selection of tees, wyes and laterals; in stock by tube or pipe size, wall thickness and material, available in:

- Aluminum, stainless steel, carbon and galvanized steel
- Size ranges from 1-1/2" through 12" O.D.

Custom-welded fabrications manufactured to customer specifications in a wide range of sizes and materials. Custom shapes a specialty:

- Parallel laterals
- Bifurcated bends
- Manifolds
- Mitered bends
- Plus any intricate shape or angle required – contact factory

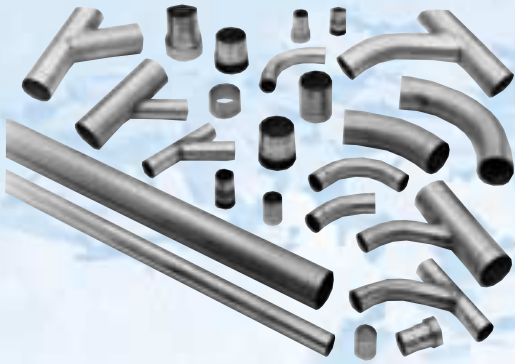
## IN-LINE SIGHT GLASSES



A clear "sighting" section to observe material flow through pneumatic or vacuum conveying lines. The design features:

- Smooth "straight-thru" design
- Eliminates turbulence
- Permanently attached grounding strip to eliminate static electricity
- Wide range of sizes with either aluminum or steel ends
- Clear acrylic standard; pyrex available on request

## VACUUM PRODUCTS



A complete line of tubing, fittings and bends for industrial, commercial and institutional vacuum systems. Typical applications include wet/dry material clean-up, high-velocity dust collection and special production applications. Available in:

- Size ranges from 2-1/8" through 12" O.D.
- 11 gauge through 16 gauge in aluminum, stainless steel, carbon and galvanized steel
- Inventory includes straights, bends, vacuum fittings, couplings, shrink sleeves and various accessories

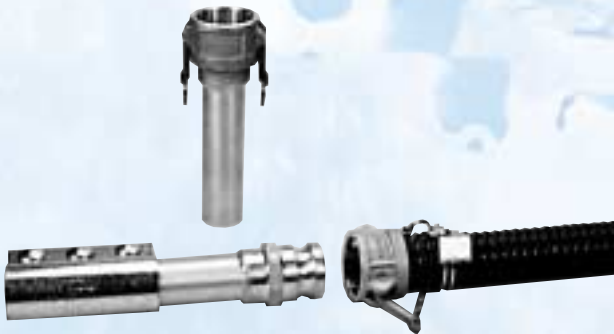
## INSTALLATION COMPONENTS



A complete stock of galvanized-steel installation hardware for all your pneumatic- and vacuum-conveying requirements.

- 1-5/8" channel in 10' or 20' lengths
- 3/8" or 1/2" diameter threaded rod in 6' or 12' lengths
- Beam clamps
- Pipe and tube clamps
- Miscellaneous hardware – couplers, spring nuts, hex nuts, flat washers and lock washers

## "QUICKIE" ASSEMBLIES

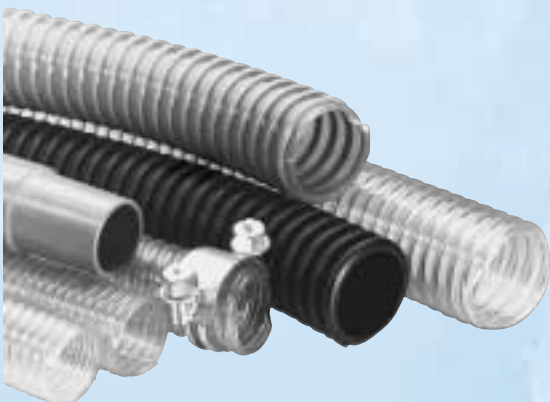


An Ever-Tite coupling or adapter welded to a short length of tubing to facilitate easy installation and take-down.

Available in:

- Size ranges from 1-1/2" through 6" O.D.

## FLEXIBLE HOSE



Six types of material-handling hoses to meet a wide variety of bulk conveying system requirements. Suitable for both vacuum and pneumatic conveying of pellets, granular and powder materials. Available in:

- Size ranges from 1" through 8" I.D.
- MORR-CLEAR™ – economical food-grade PVC hose
- MORR-CLEAR™ Static – PVC hose with static-dissipating ground wire
- MORR-THANE™ – extended-performance, urethane-material transfer hose
- MORR-TUFF™ – a blend of urethane, PVC and rubber for severe service applications
- MORR-LITE™ – economical food-grade polyurethane hose
- MORR-LITE™ W – food-grade polyurethane hose with static-dissipating ground wire



## METAL FLEXIBLE HOSE AND CUSTOM-FABRICATED INTERLOCKED HOSE ASSEMBLIES



A general purpose (unlined) or smooth bore (lined) metal flexible hose for dry bulk material handling for pneumatic and vacuum systems.

Flexible metal hose available in stainless, carbon or galvanized steel with end fittings assembled to customer specifications.

Fabrications available with:

- Welding, brazing or epoxy
- Wide variety of end fittings such as Ever-Tite couplers, flanges and stub ends
- Size ranges from 1-1/2" through 8" O.D.

## MORR-TITE™ HOSE CLAMPS AND ACCESSORIES



Spiral double-bolt clamps for positive connection of corrugated flexible material handling hose to tubing. Spiral double-bolt clamps with right-hand or left-hand helix. Available in:

- Galvanized plated steel or stainless steel
- Size ranges from 1" through 10" O.D.

## CAM AND GROOVE COUPLINGS



The **EVER-TITE**® original cam locking quick-coupling for quick, leakproof connections (without hand tools) for pipe, hose, tubing or tanks; for liquids, vapors, gases and dry products. Available in:

- Aluminum, stainless steel, forged brass, cast brass, ductile iron and polypropylene
- Size ranges from 1/2" to 10"

The **Tough-TITE**™ Cam and Groove Couplings, the economy line of the "Basic Eight" couplers and adapters – positive connections for transferring liquids, gases or dry products. Available in:

- Aluminum, stainless steel, or cast brass
- Size ranges from 3/4" to 6"

## COMPRESSION NUT ASSEMBLIES



Quick-change couplers to install Morris Ever-Tite male and female connectors with easy-grip compression nut that requires no welding or epoxy to assemble low-pressure pneumatic conveying systems.

- Available for .065 tubing size
- Size ranges from 1-1/2" to 3"

## ***Our Quality Commitment***

*Shared by the Entire Organization*

*We, as a company and individuals, are committed to supply product and services which conform to requirements mutually agreed upon with our customers. We will achieve this by:*

- *Focusing on error prevention in every aspect of our business.*
- *Requiring our vendors to concur with our requirements.*
- *Providing a hassle-free work environment which enables all employees to do their job ... Right the First Time.*

*Our ultimate objective is error-free performance.*



2240 West 15th Street

Erie, PA 16505

Telephone: 1-800-426-1579 • 814-459-1741

FAX: 1-800-545-1399 or 1-814-453-5155

[www.morriscoupling.com](http://www.morriscoupling.com)

[e-mail: sales@morriscoupling.com](mailto:sales@morriscoupling.com)

Warehouses in Canada and Europe