

PRINCIPLE OF OPERATION

Scale Valve is functionally to divert bulk solids in pneumatic transit to receiving vessels. This diversion can be used for such things as in-line filling or bulk storage bins, scale hoppers / weigh hoppers or process hoppers.

In the straight through position the inlet and exit points are aligned through the machined bore of a rotating paddle so that the material passes straight through. Being set in the diverting position, the air and the material enter the inlet port to be directed downwards by the diversion paddle, into the receiving vessel. Air alone gets vented through outlet.

Scale Valves are available in sizes 50mm (2"), 80mm (3"), 100mm (4"), and 150mm (6"). Complete air controls are provided as standard, including the pneumatic actuator and solenoid with control unit.

Final Filtration or residual conveying air can be carried out at a location remote from the receiving vessel.

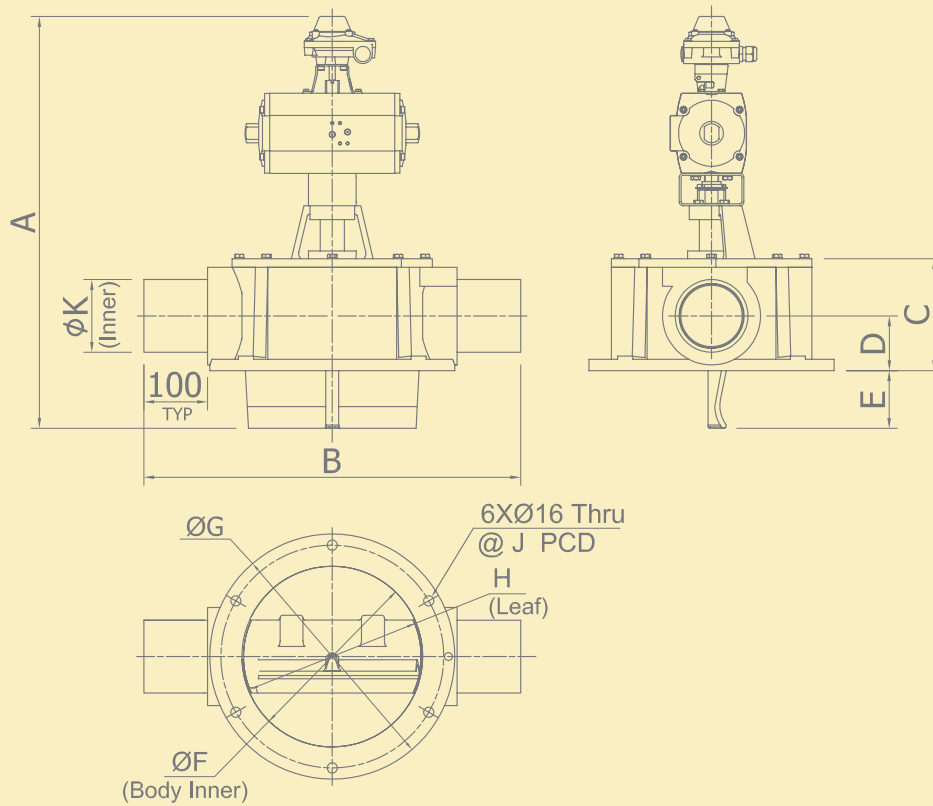
FEATURES :

- Compact Design
- Optimal Sealing
- Simple Construction with minimal contact area
- Available in Cast Iron, Stainless Steel and Aluminium Materials
- Available with Flange or Pipe Connections
- Minimal Process Loss



Straight Through Position

Divert Position



Valve Size	A	B	C	D	E	ØF	ØG	ØH	J	ØK
50mm & 80mm (2" & 3")	588	496	157	83	73	196	300	195.8	260	54.7 / 82.8
100mm (4")	647	592	176	86	91	268	385	267.8	350	108.2
150mm (6")	737	665	229	107	108	331	465	330.7	419	161.50

All dimensions are in mm.

Note: We reserve the right to modify the dimensions without prior notice.

Marketed by

AIR-LOCK CORPORATION LIMITED

32 SOI ANAMAI, SRINAKARIN ROAD,
SUAN LUANG, SUAN LUANG,
BANGKOK 10250, THAILAND.



Phone : +66-2118 6150
Fax : +66-2006 9064
E-mail : sales@airlockintl.com
Website : www.airlockcorp.co.th